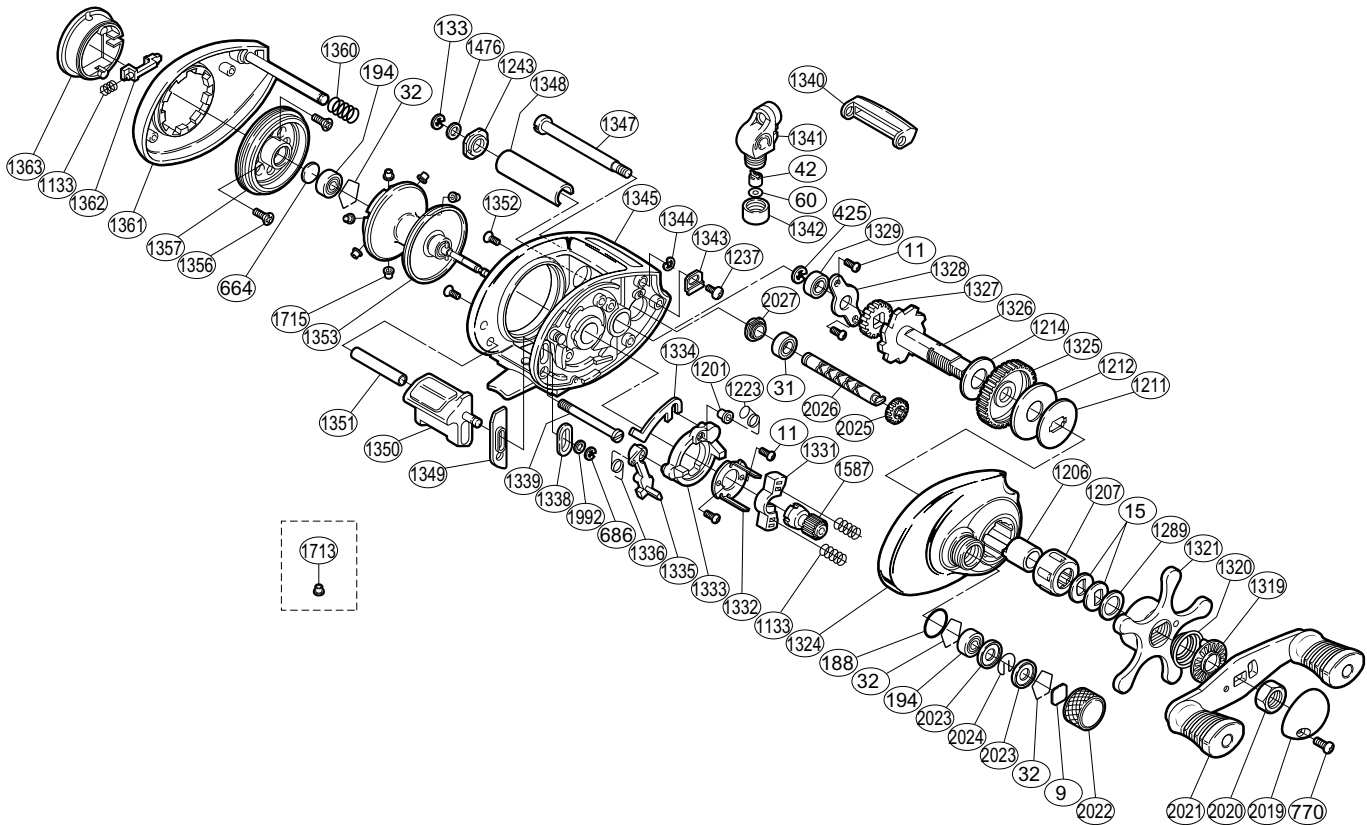


# SHIMANO®

## CHRONARCH®

## CH-100A



Part No.	Description	Part No.	Description	Part No.	Description
BNT0009	Cast Control Cap	BNT1320	Star Drag Spring	BNT1351	Clutch Bar Support
BNT0011	Multi Purpose Screw	BNT1321	Star Drag	BNT1352	Right Side Plate Screw
BNT0015	Drag Spring Washer	BNT1324	Right Side Plate	BNT1353	Spool Assembly
BNT0031	Ball Bearing	BNT1325	Drive Gear	BNT1356	Brake Case Retainer Screw
BNT0032	Bearing Retainer	BNT1326	Drive Shaft	BNT1357	Brake Case
BNT0042	Line Guide Pawl	BNT1327	Idle Gear	BNT1360	Left Side Plate Spring
BNT0060	Spacer (optional)	BNT1328	Drive Shaft Retainer	BNT1361	Left Side Plate
BNT0133	Worm Shaft Retainer	BNT1329	Ball Bearing	BNT1362	Turnkey Pawl
BNT0188	"O" Ring	BNT1331	Yoke	BNT1363	Turnkey Dial
BNT0194	Ball Bearing	BNT1332	Clutch Cam Retainer	BNT1476	Worm Shaft Spacer
BNT0425	"E" Lock	BNT1333	Clutch Cam	BNT1587	Pinion Gear
BNT0664	Spacer (B)	BNT1334	Clutch Plate	BNT1715	Brake Collar (red)
BNT0686	"E" Lock	BNT1335	Clutch Pawl	BNT1992	Spacer (B)
BNT0770	Handle Nut Plate Screw	BNT1336	Clutch Pawl Spring	BNT2019	Handle Nut Plate Assembly
BNT1133	Yoke / Turnkey Pawl Spring	BNT1338	Clutch Bar Guide (A)	BNT2020	Handle Nut
BNT1201	Retractor Spring Collar	BNT1339	Clutch Bar Bolt	BNT2021	Handle Assembly
BNT1206	Roller Clutch Inner Tube	BNT1340	Level Wind Protector	BNT2022	Cast Control Cap
BNT1207	Roller Clutch Bearing	BNT1341	Line Guide	BNT2023	Spool Shaft Clip Holder
BNT1211	Key Washer	BNT1342	Pawl Cap	BNT2024	Spool Shaft Clip
BNT1212	Drag Washer (C)	BNT1343	Worm Bearing (A) Retainer	BNT2025	Idle Gear (C)
BNT1214	Drag Washer (A)	BNT1344	"C" Lock	BNT2026	Worm Shaft
BNT1223	Retractor Spring	BNT1345	One-Piece Frame	BNT2027	Worm Bushing (A)
BNT1237	Worm Bearing (A) Retainer Screw	BNT1347	Level Wind Guide		
BNT1243	Worm Bushing (B)	BNT1348	Level Wind Guard		
BNT1289	Star Drag Spacer	BNT1349	Clutch Bar Guide (B)		
BNT1319	Click Gear	BNT1350	Quick-Fire II Clutch Bar	BNT1713	Brake Collar (green)